

## GENERAL NOTES

Pro Access Floors is a nationwide leader in Raised Access Flooring providing comprehensive solutions including new and pre-owned flooring systems, under-structure components, replacement panels, professional installation, consulting, and raised floor disposal. For more details please visit our web site at:

<https://proaccessfloors.com>

or contact us:

Phone & Text 858-566-9000

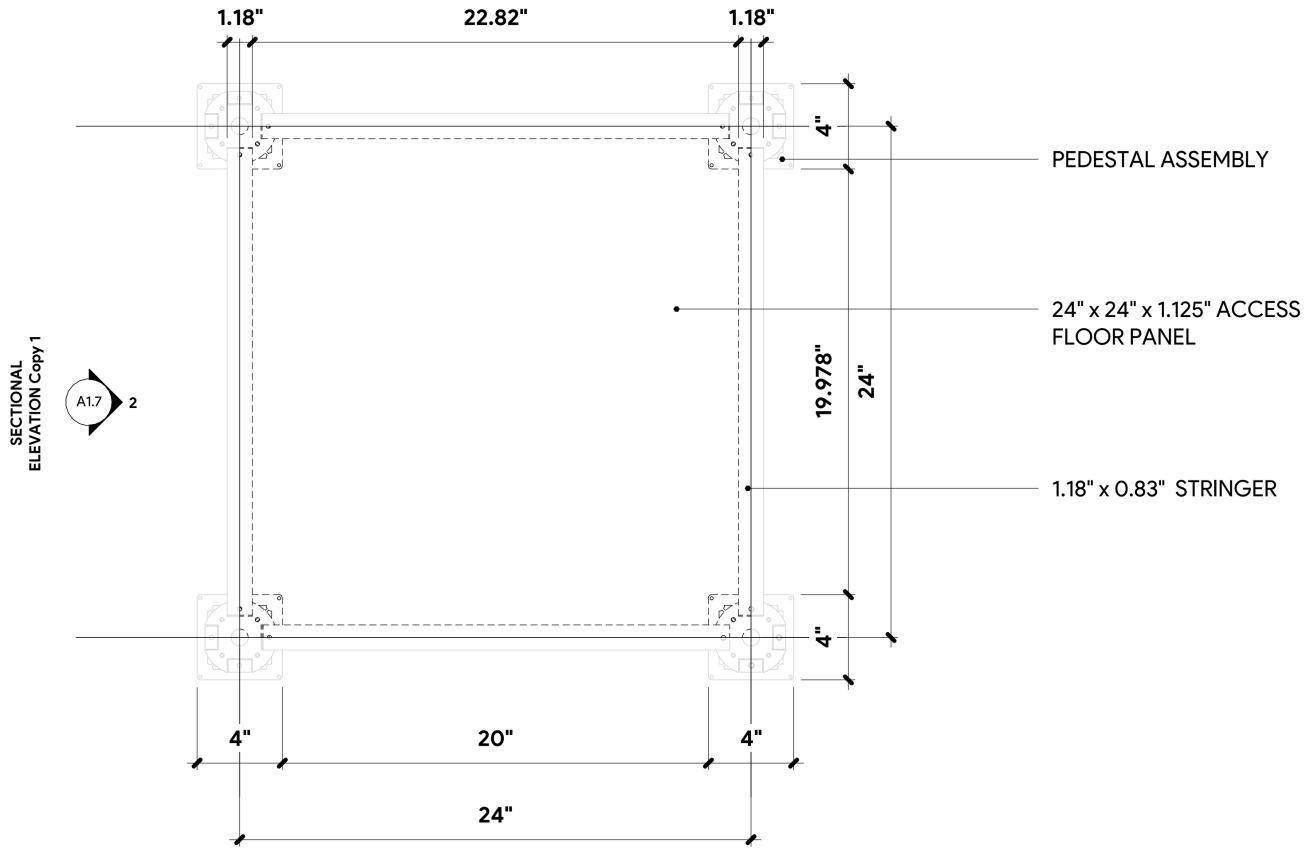
Toll-Free 800-566-7820

E-Mail [info@proaccessfloors.com](mailto:info@proaccessfloors.com)

For a complete list of Architectural files, Please visit our Architects and Engineers Resource page at:

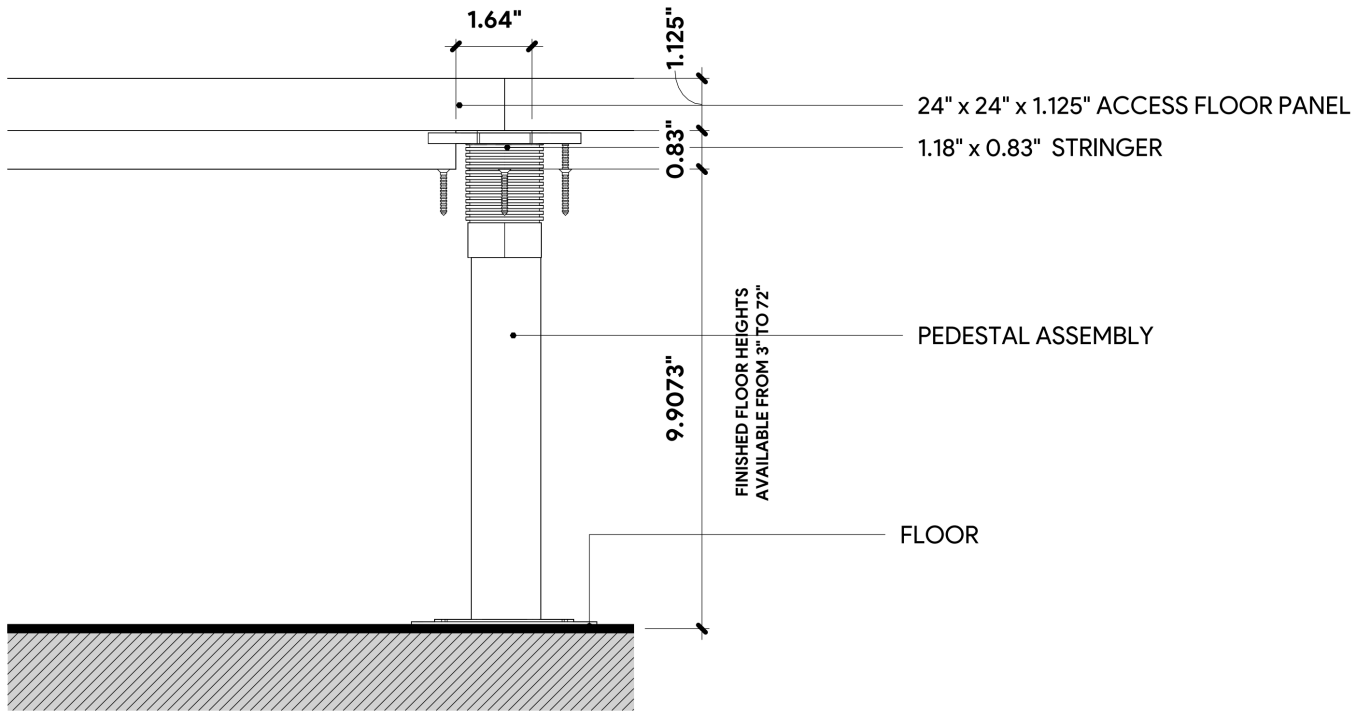
<https://www.computerfloorpros.com/architects/>

- The models and measurements provided in these models represent the [Wood Core](#) and [Calcium Sulphate](#) Raised Floor Systems, including panels, and under-structure components, ramp kits, step kit, and 3D. Actual dimensions, features, and specifications may vary depending on the manufacturer and specific flooring system.
- **Disclaimer:** The information provided herein is based on manufacturer data and industry standards. Pro Access Floors does not guarantee performance of materials beyond manufacturer warranties. It is the responsibility of the architect, engineer, and contractor to verify that products meet project-specific requirements.



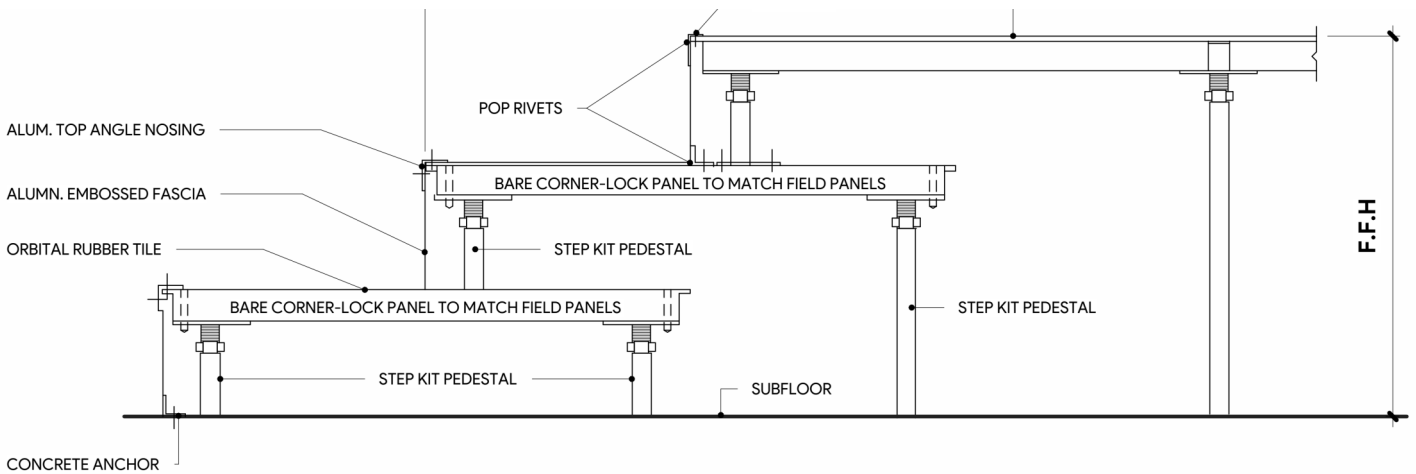
**1 PLAN VIEW**  
 1 1/2" = 1'-0"





**SECTIONAL ELEVATION**

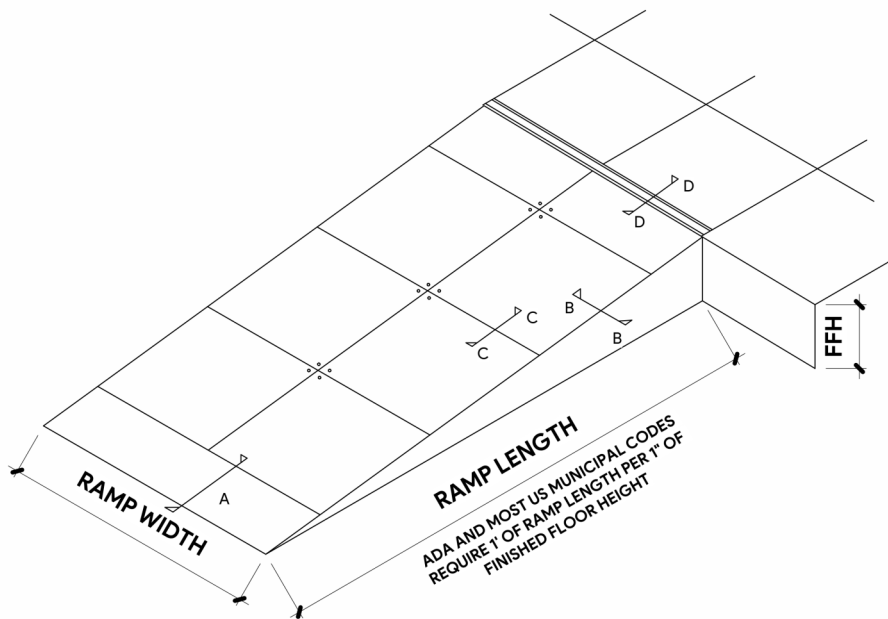
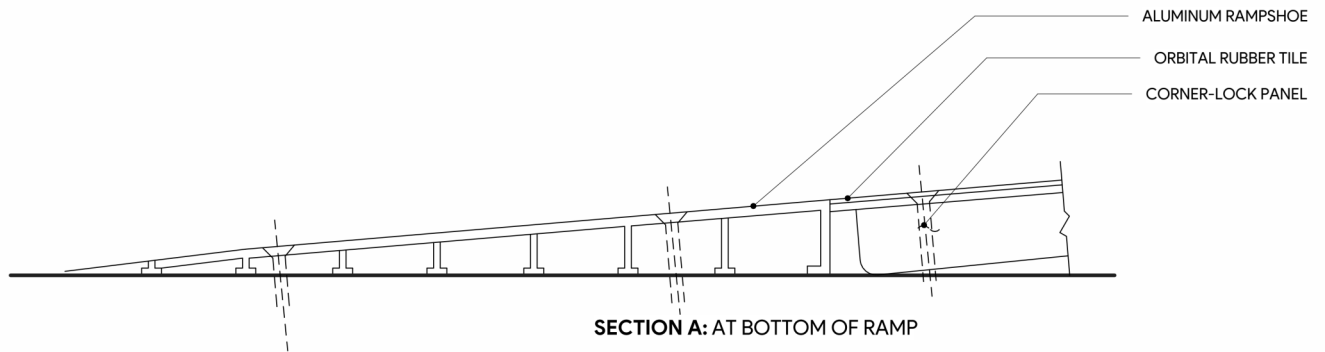
**3" = 1'-0"**



**STEPS DETAILS**

**1 1/2" = 1'-0"**

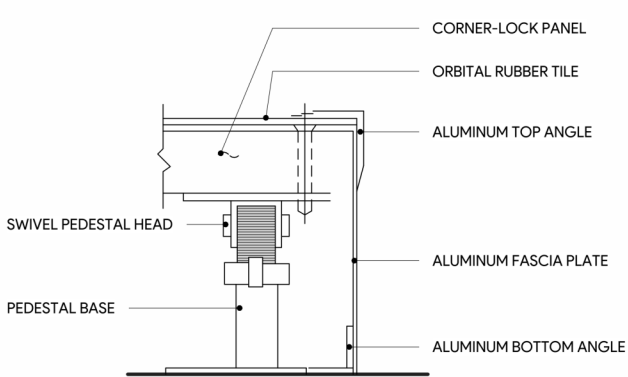




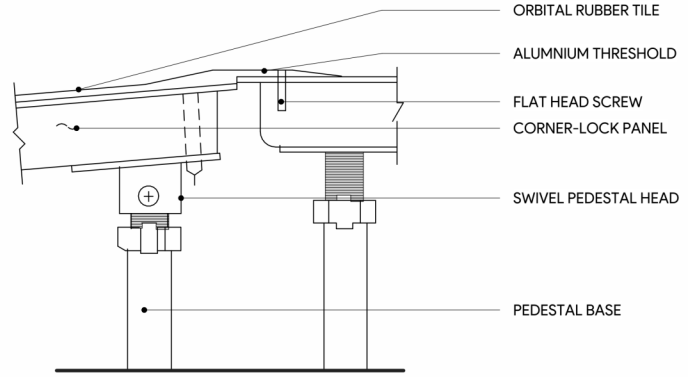
**RAISED ACCESS FLOOR RAMP KIT (1)**



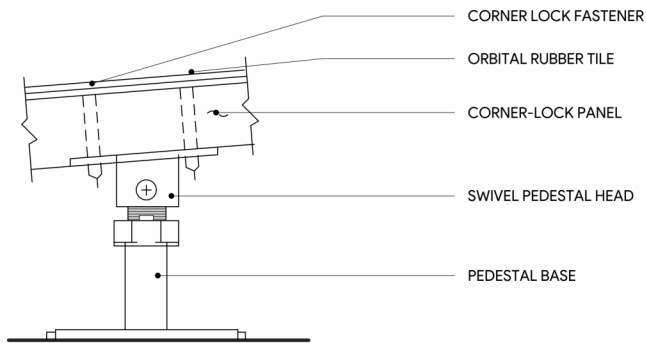
9107 West Russell Road • Suite 100 • Las Vegas, NV 89148 • [www.proaccessfloors.com](http://www.proaccessfloors.com)  
Text - 858-566-9000 • Fax - 858-566-4000 • Phone - 858-566-9000



SECTION B: AT SIDE OF RAMP



SECTION D: AT TOP OF RAMP

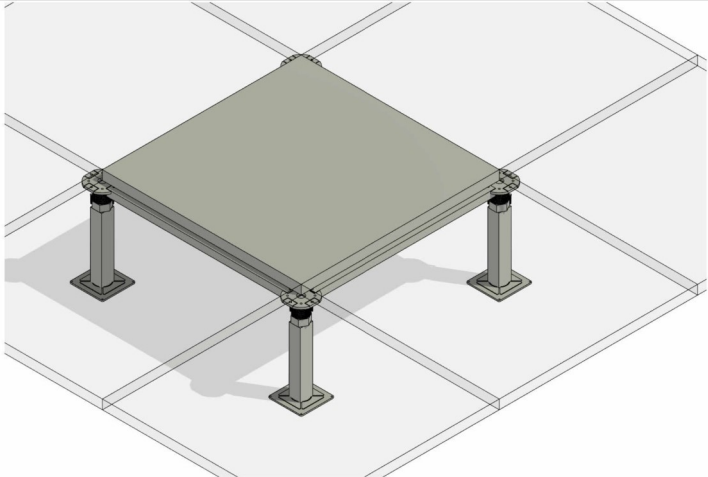


SECTION C: AT MID OF RAMP

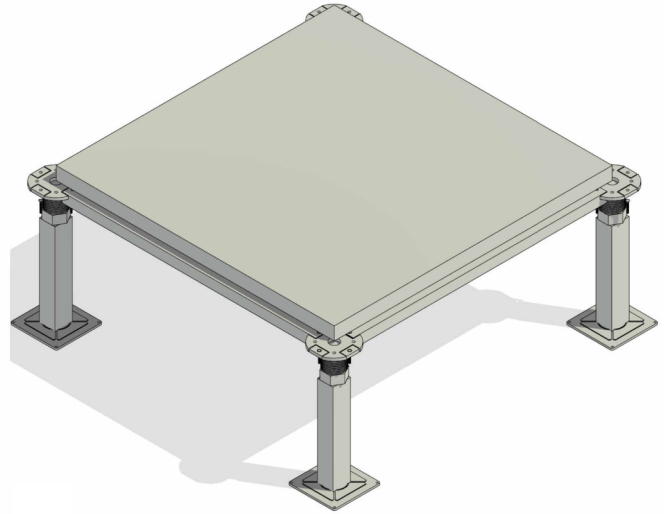
**RAISED ACCESS FLOOR RAMP KIT (2)**

**12" = 1'-0"**

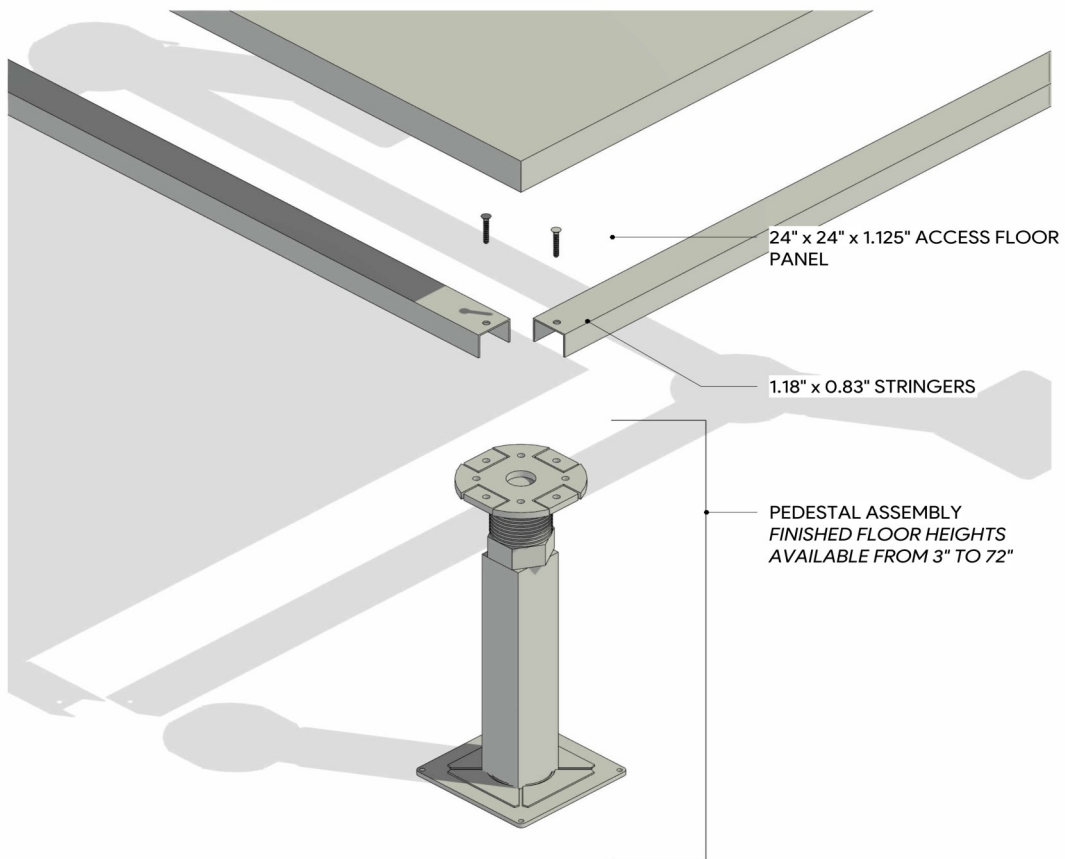




**3D GRID**



**3D VIEW OF PANEL**



**EXPLODED VIEW**

